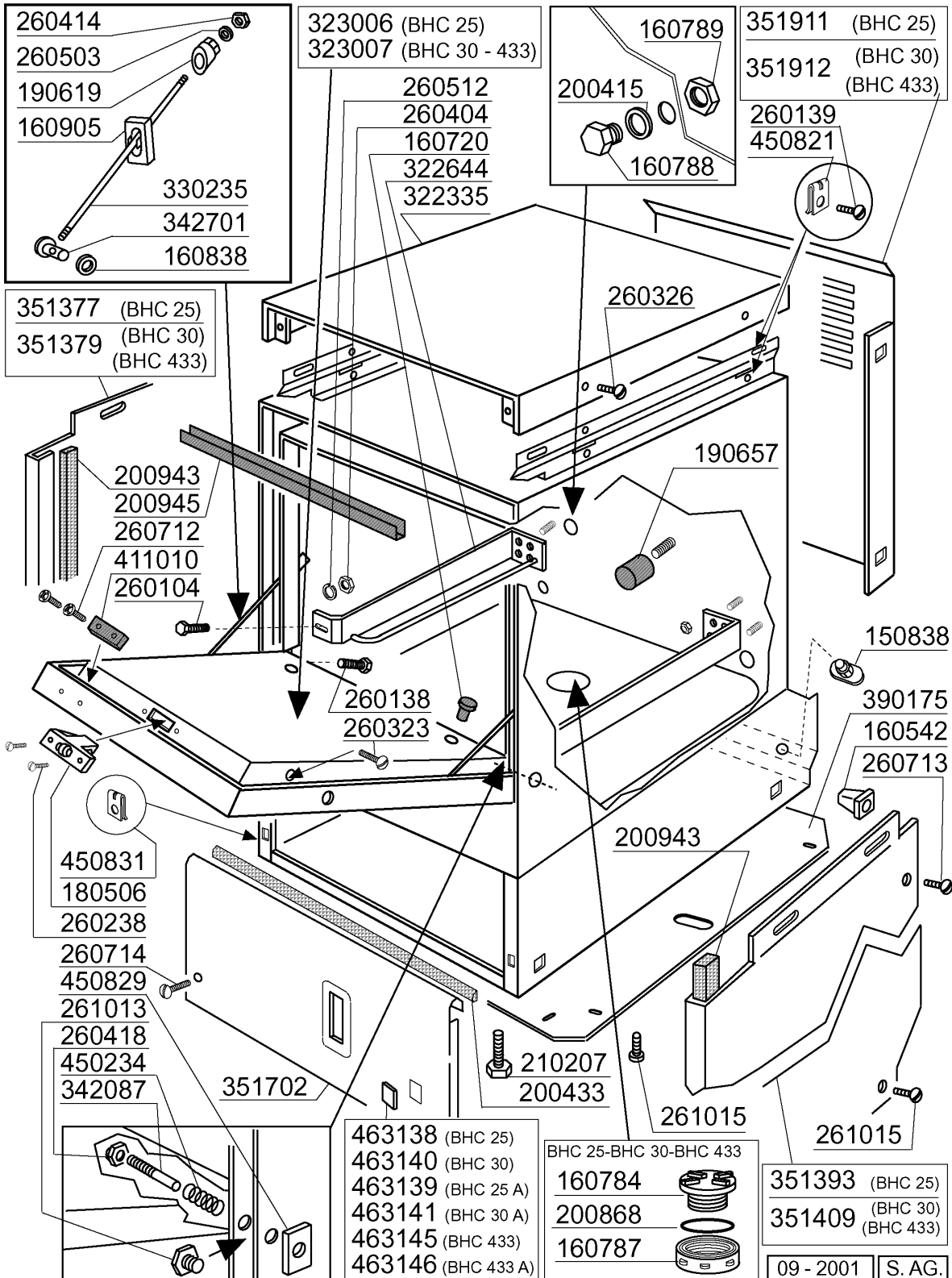


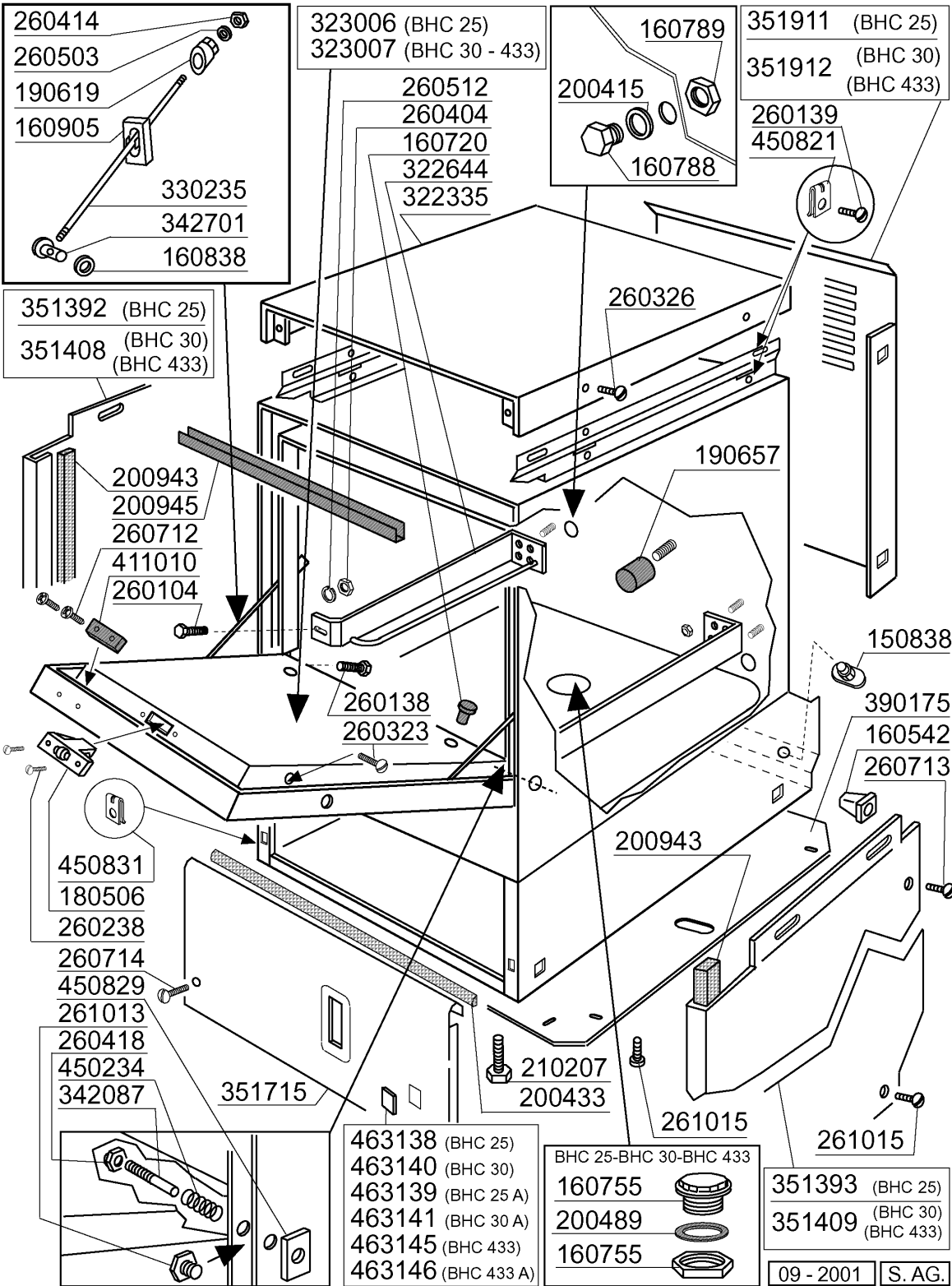
sino alla matricola - jusqu'à la matr. - up to serial no. - bis Seriennr. - hasta la matr. 9400/08/01



2 - Hood

| CODE   | DESCRIPTION                    |
|--------|--------------------------------|
| 150838 | CABLE HOLDER FOR BHC           |
| 160542 | SCREW SUPPORT                  |
| 160720 | PLUG HEYCO D.8                 |
| 160784 | PLUG                           |
| 160787 | NUT                            |
| 160788 | PLUG                           |
| 160789 | NUT                            |
| 160838 | SLIDING WASHER TIE ROD FC      |
| 160905 | SLIDING PLATE F. TIE ROD       |
| 180506 | DOOR CATCH BR-BC-FC            |
| 190619 | DOOR CATCH B-F-R               |
| 190657 | RACK STOP BHC                  |
| 200415 | AIR TRAP GASKET -F2 18,5X10X3  |
| 200433 | SPONGY RUBBER RECT. 6X2,5 ADHE |
| 200868 | GASKET                         |
| 200943 | GASKET                         |
| 200945 | DOOR GASKET BHC                |
| 210207 | FOOT BHC                       |
| 260104 | STAINL.ST TE-SCREW A2 6X16 UNI |
| 260138 | SCREW TE 4X10                  |
| 260139 | SCREW TE 5X16                  |
| 260238 | M4 X 10 MUSH/HD SCREW          |
| 260323 | SCREW TSP 5X20                 |
| 260326 | SCREW TS 5X10                  |
| 260404 | STAINLESS STEEL NUTS D6 UNI 55 |
| 260414 | SELF-LOCKING NUT M5            |
| 260418 | SELF-LOCKING NUT M4            |
| 260503 | STAINL.STEEL FLAT WASHER D5 UN |
| 260512 | ST/ST GROWER WASHER D6         |
| 260712 | SCREW 2,9X9,5                  |
| 260713 | SCREW 3,9X16                   |
| 260714 | SCREW 4,2X19                   |
| 261013 | SCREW                          |
| 261015 | SCREW 3,9X13                   |
| 322335 | COVER BHC                      |
| 322644 | RACK GUIDE BHC                 |
| 323006 | DOOR BHC25                     |
| 323007 | DOOR BHC30                     |
| 330235 | ROD FOR BHC DOOR               |
| 342087 | PIN                            |
| 342701 | PIN FOR TIE ROD                |
| 351377 | LEFT PANEL BHC25               |
| 351379 | LEFT PANEL                     |
| 351393 | RIGHT PANEL BHC25/1            |
| 351409 | LATERAL PANEL                  |
| 351702 | FRONT PANEL                    |
| 351911 | PANEL                          |
| 351912 | BACK PANEL BHC30               |
| 390175 | PANEL                          |
| 411010 | DOOR MAGNET                    |
| 450234 | SPRING                         |
| 450821 | SPRING CLIP FASTENER SNU 3634  |
| 450829 | DOOR BRACKET BHC               |
| 450831 | SCREW SUPPORT                  |
| 463138 | NAME PLATE                     |
| 463139 | NAME PLATE                     |
| 463140 | NAME PLATE                     |
| 463141 | NAME PLATE                     |
| 463145 | NAME PLATE                     |
| 463146 | NAME PLATE                     |

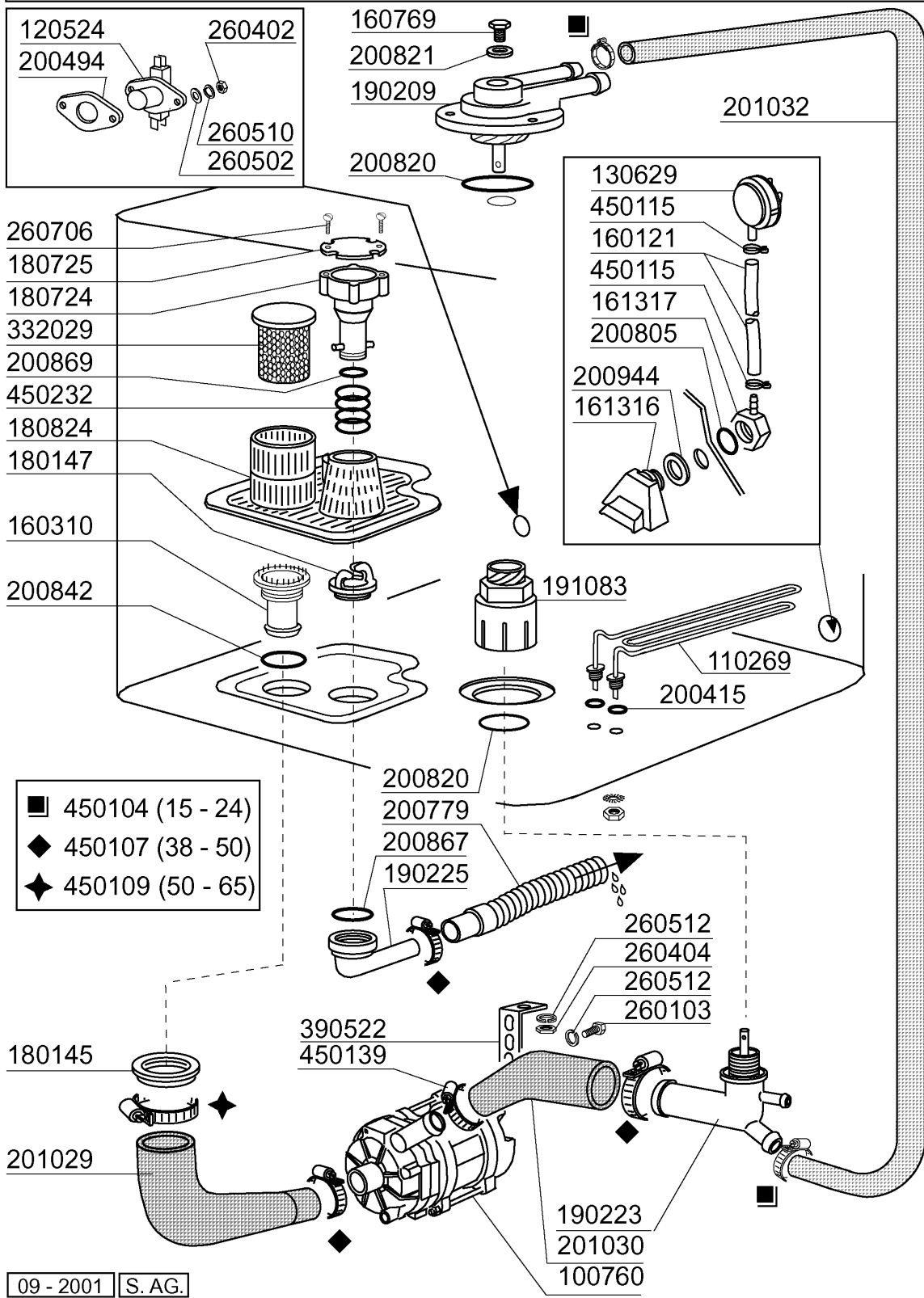
dalla matricola - a partir de la matr. - from serial no. - ab Seriennr. - despues la matr. 9401/09/01



3 - Hood

| CODE   | DESCRIPTION                    |
|--------|--------------------------------|
| 150838 | CABLE HOLDER FOR BHC           |
| 160542 | SCREW SUPPORT                  |
| 160720 | PLUG HEYCO D.8                 |
| 160755 | PLUG FOR MACHINES WITHOUT SOFT |
| 160788 | PLUG                           |
| 160789 | NUT                            |
| 160838 | SLIDING WASHER TIE ROD FC      |
| 160905 | SLIDING PLATE F. TIE ROD       |
| 180506 | DOOR CATCH BR-BC-FC            |
| 190619 | DOOR CATCH B-F-R               |
| 190657 | RACK STOP BHC                  |
| 200415 | AIR TRAP GASKET -F2 18,5X10X3  |
| 200433 | SPONGY RUBBER RECT. 6X2,5 ADHE |
| 200489 | GASKET 81X68X3                 |
| 200943 | GASKET                         |
| 200945 | DOOR GASKET BHC                |
| 210207 | FOOT BHC                       |
| 260104 | STAINL.ST TE-SCREW A2 6X16 UNI |
| 260138 | SCREW TE 4X10                  |
| 260139 | SCREW TE 5X16                  |
| 260238 | M4 X 10 MUSH/HD SCREW          |
| 260323 | SCREW TSP 5X20                 |
| 260326 | SCREW TS 5X10                  |
| 260404 | STAINLESS STEEL NUTS D6 UNI 55 |
| 260414 | SELF-LOCKING NUT M5            |
| 260418 | SELF-LOCKING NUT M4            |
| 260503 | STAINL.STEEL FLAT WASHER D5 UN |
| 260512 | ST/ST GROWER WASHER D6         |
| 260712 | SCREW 2,9X9,5                  |
| 260713 | SCREW 3,9X16                   |
| 260714 | SCREW 4,2X19                   |
| 261013 | SCREW                          |
| 261015 | SCREW 3,9X13                   |
| 322335 | COVER BHC                      |
| 322644 | RACK GUIDE BHC                 |
| 323006 | DOOR BHC25                     |
| 323007 | DOOR BHC30                     |
| 330235 | ROD FOR BHC DOOR               |
| 342087 | PIN                            |
| 342701 | PIN FOR TIE ROD                |
| 351392 | LATERAL PANEL                  |
| 351393 | RIGHT PANEL BHC25/1            |
| 351408 | LATERAL PANEL                  |
| 351409 | LATERAL PANEL                  |
| 351715 | FRONT PANEL                    |
| 351911 | PANEL                          |
| 351912 | BACK PANEL BHC30               |
| 390175 | PANEL                          |
| 411010 | DOOR MAGNET                    |
| 450234 | SPRING                         |
| 450821 | SPRING CLIP FASTENER SNU 3634  |
| 450829 | DOOR BRACKET BHC               |
| 450831 | SCREW SUPPORT                  |
| 463138 | NAME PLATE                     |
| 463139 | NAME PLATE                     |
| 463140 | NAME PLATE                     |
| 463141 | NAME PLATE                     |
| 463145 | NAME PLATE                     |
| 463146 | NAME PLATE                     |

sino alla matricola - jusqu'à la matr. - up to serial no. - bis Seriennr. - hasta la matr. 9400/08/01



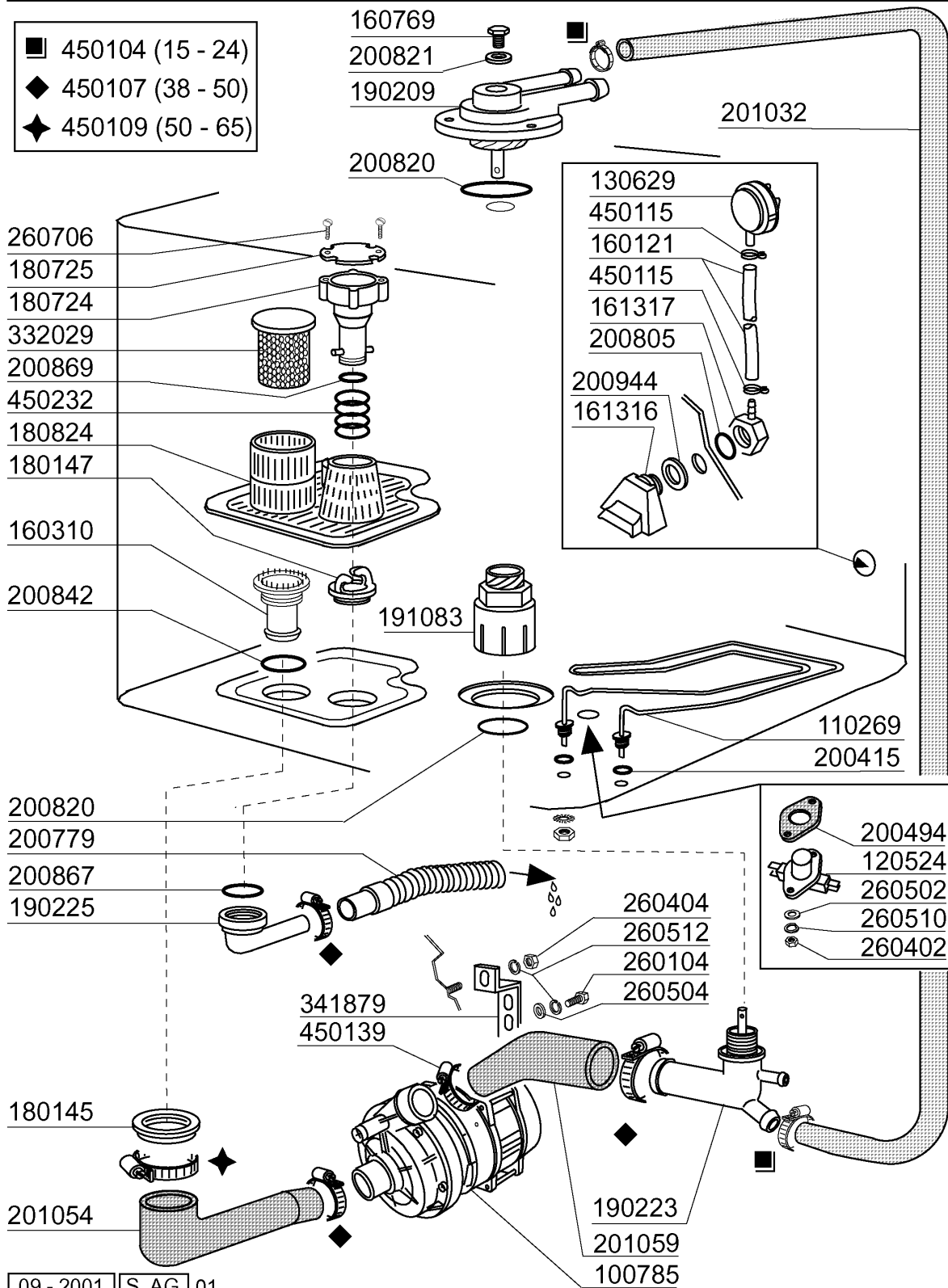
09 - 2001 S. AG.

#### 4 - Tank

| CODE   | DESCRIPTION                    |
|--------|--------------------------------|
| 100760 | PUMP HP 0,3 220/240 BHC        |
| 110269 | TANK HEATER 2000W              |
| 120524 | TANKTHERMOSTAT GLASSWASHER     |
| 130629 | PRESSURE SWITCH 1L30-12        |
| 160121 | HOSE EPDM D. 5 X 9             |
| 160310 | INLET HOSE BHC                 |
| 160769 | PLUG F.UPPER WASH ARM SUPPORT  |
| 161316 | AIR TRAP                       |
| 161317 | NUT FOR AIR TRAP               |
| 180145 | NUT                            |
| 180147 | NUT                            |
| 180724 | OVERFLOW PIPE BHC              |
| 180725 | OVERFLOW PIPE COVER            |
| 180824 | TANK STRAINER BHC              |
| 190209 | UPPER WASH/RINSE ARM SUPPORT " |
| 190223 | LOWER WASH/RINSE ARM SUPPORT B |
| 190225 | DRAIN OUTLET                   |
| 191083 | LOWER WASH ARM SUPPORT         |
| 200415 | AIR TRAP GASKET -F2 18,5X10X3  |
| 200494 | GASKET FOR TANKTHERMOSTAT BT   |
| 200779 | DRAIN HOSE FOR BR-BC-FC43      |
| 200805 | OR GASKET 2,62X28,24X33,48     |
| 200820 | O-RING151 46,99X5,33X57,6      |
| 200821 | O-RING 2,62X20,63              |
| 200842 | SEAL RING OR158 PB701 NITRILE  |
| 200867 | GASKET                         |
| 200869 | GASKET                         |
| 200944 | GASKET                         |
| 201029 | TANK INLET HOSE                |
| 201030 | OUTLET HOSE                    |
| 201032 | OUTLET HOSE                    |
| 260103 | SCREW TE 6X12                  |
| 260402 | STAINLESS STEEL NUT D4 UNI 55  |
| 260404 | STAINLESS STEEL NUTS D6 UNI 55 |
| 260502 | S/S FLAT WASHER D.4            |
| 260510 | GROWER WASHER D.4              |
| 260512 | ST/ST GROWER WASHER D6         |
| 260706 | SCREW 3,9X13 S/S               |
| 332029 | PUMP FILTER BHC                |
| 390522 | BRACKET FOR PUMP HP0,12        |
| 450104 | CLAMP FE ZN H=12,5 15-24       |
| 450107 | CLAMP FE ZN 38-50 H=12,2       |
| 450109 | CLAMP 50-65                    |
| 450115 | ELASTIC CLAMP D.8,3/7,8        |
| 450139 | CLAMP 26-38 H=9                |
| 450232 | SPRING                         |

dalla matricola - a partir de la matr. - from serial no. - ab Seriennr. - despues la matr. 9401/09/01

- 450104 (15 - 24)
- ◆ 450107 (38 - 50)
- ◆ 450109 (50 - 65)

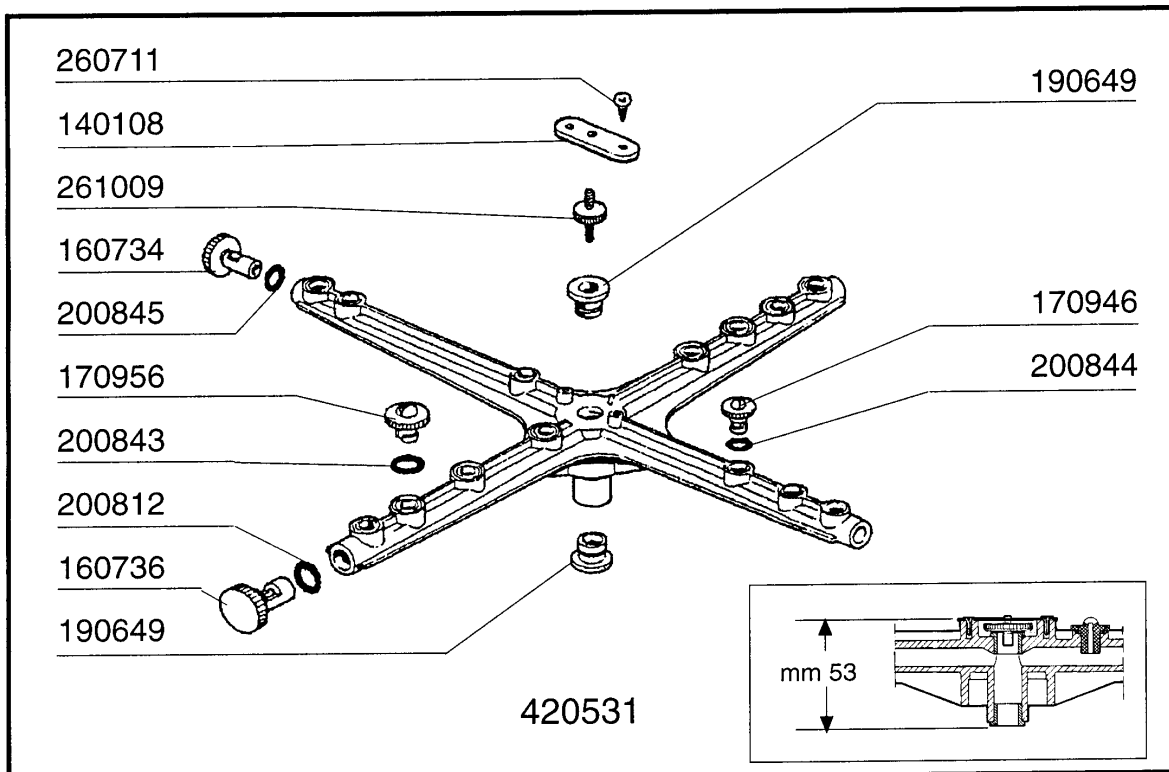
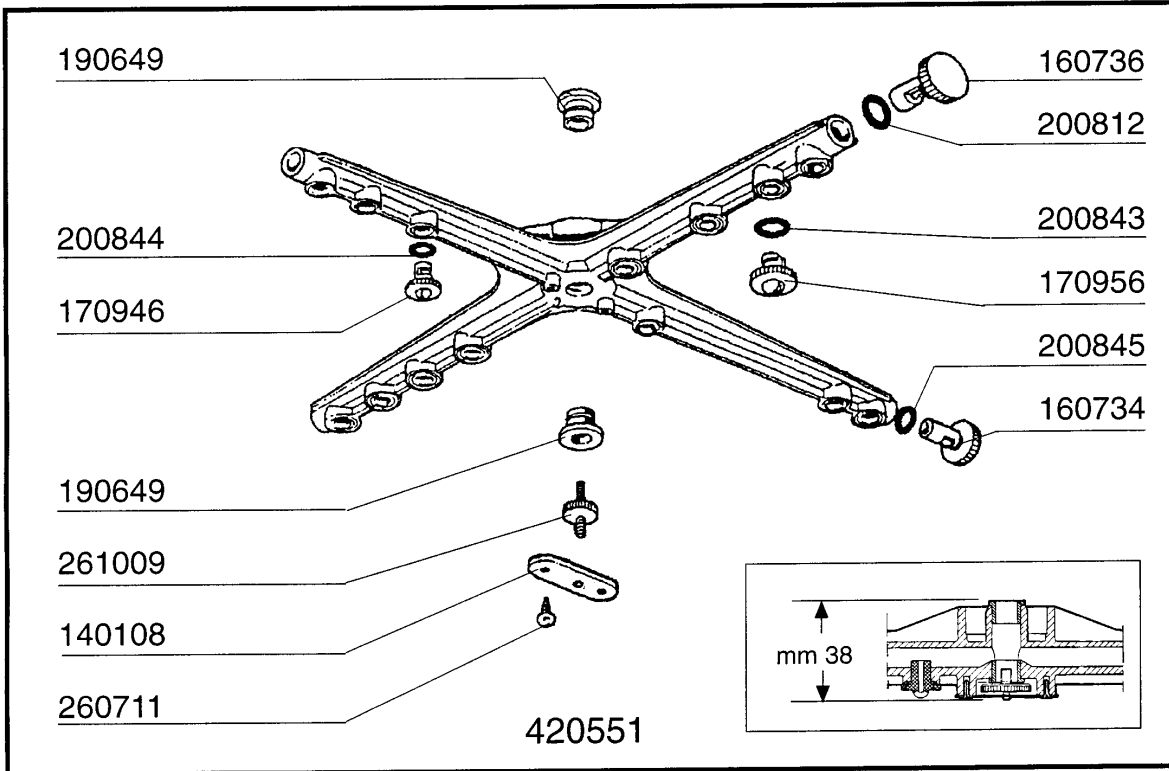


09 - 2001 | S. AG. | 01

## 5 - Tank

| CODE   | DESCRIPTION                    |
|--------|--------------------------------|
| 100785 | PUMP LGB ZF140 0.5HP           |
| 110269 | TANK HEATER 2000W              |
| 120524 | TANKTHERMOSTAT GLASSWASHER     |
| 130629 | PRESSURE SWITCH 1L30-12        |
| 160121 | HOSE EPDM D. 5 X 9             |
| 160310 | INLET HOSE BHC                 |
| 160769 | PLUG F.UPPER WASH ARM SUPPORT  |
| 161316 | AIR TRAP                       |
| 161317 | NUT FOR AIR TRAP               |
| 180145 | NUT                            |
| 180147 | NUT                            |
| 180724 | OVERFLOW PIPE BHC              |
| 180725 | OVERFLOW PIPE COVER            |
| 180824 | TANK STRAINER BHC              |
| 190209 | UPPER WASH/RINSE ARM SUPPORT " |
| 190223 | LOWER WASH/RINSE ARM SUPPORT B |
| 190225 | DRAIN OUTLET                   |
| 191083 | LOWER WASH ARM SUPPORT         |
| 200415 | AIR TRAP GASKET -F2 18,5X10X3  |
| 200494 | GASKET FOR TANKTHERMOSTAT BT   |
| 200779 | DRAIN HOSE FOR BR-BC-FC43      |
| 200805 | OR GASKET 2,62X28,24X33,48     |
| 200820 | O-RING151 46,99X5,33X57,6      |
| 200821 | O-RING 2,62X20,63              |
| 200842 | SEAL RING OR158 PB701 NITRILE  |
| 200867 | GASKET                         |
| 200869 | GASKET                         |
| 200944 | GASKET                         |
| 201032 | OUTLET HOSE                    |
| 201054 | TANK INLET HOSE                |
| 201059 | OUTLET HOSE                    |
| 260104 | STAINL.ST TE-SCREW A2 6X16 UNI |
| 260402 | STAINLESS STEEL NUT D4 UNI 55  |
| 260404 | STAINLESS STEEL NUTS D6 UNI 55 |
| 260502 | S/S FLAT WASHER D.4            |
| 260504 | ST/ST FLAT WASHER D6           |
| 260510 | GROWER WASHER D.4              |
| 260512 | ST/ST GROWER WASHER D6         |
| 260706 | SCREW 3,9X13 S/S               |
| 332029 | PUMP FILTER BHC                |
| 341879 | BRACKET FOR PUMP               |
| 450104 | CLAMP FE ZN H=12,5 15-24       |
| 450107 | CLAMP FE ZN 38-50 H=12,2       |
| 450109 | CLAMP 50-65                    |
| 450115 | ELASTIC CLAMP D.8,3/7,8        |
| 450139 | CLAMP 26-38 H=9                |
| 450232 | SPRING                         |

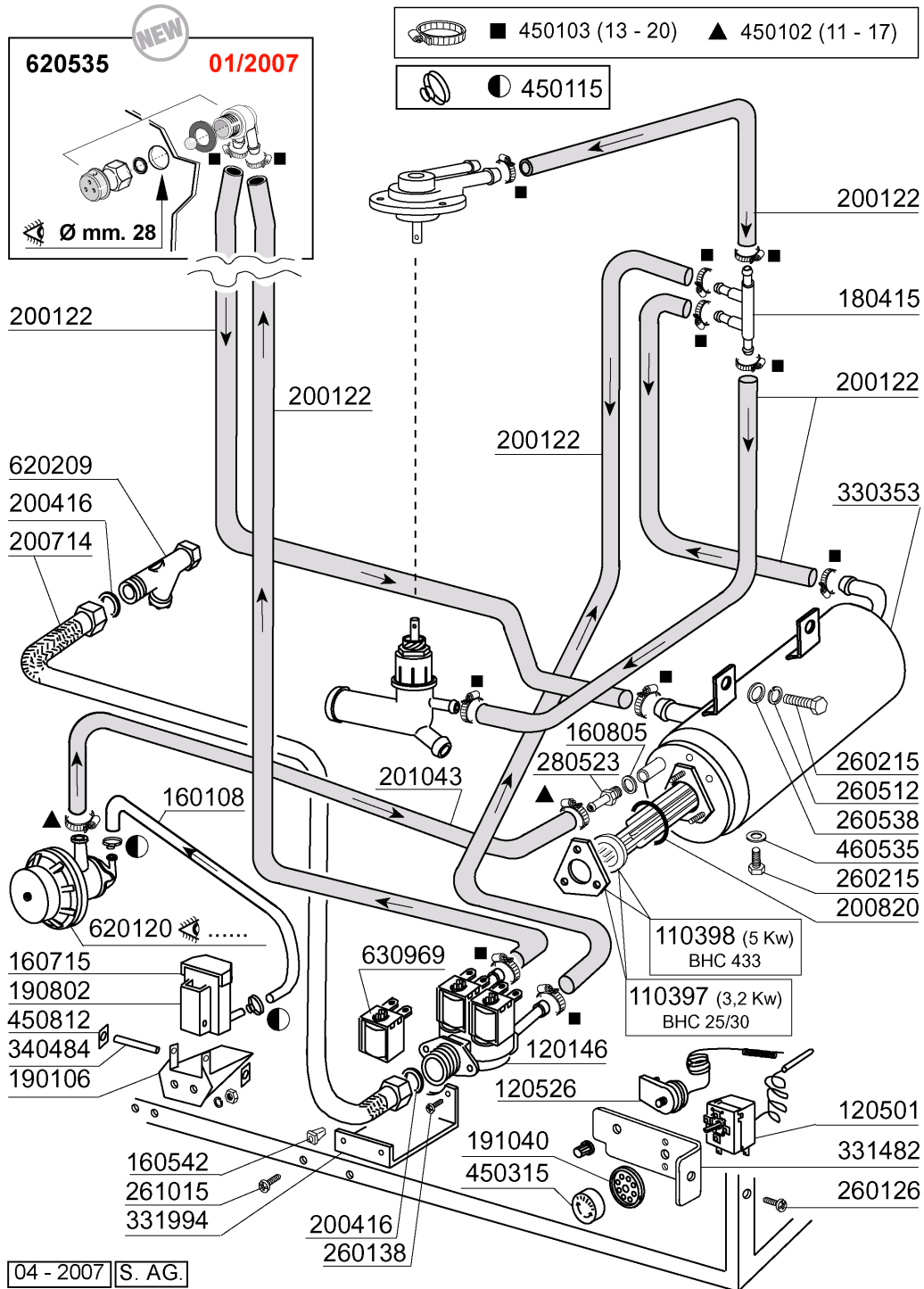




**6 - Wash arm**

| <b>CODE</b> | <b>DESCRIPTION</b>             |
|-------------|--------------------------------|
| 140108      | PLATE FOR WASH ARM             |
| 160734      | END PLUGS RINSE ARM            |
| 160736      | WASH ARM PLUG F45              |
| 170946      | RINSE JET/RINSE ARM B-F        |
| 170956      | WASH JET/WASH ARM B-F20        |
| 190649      | BUSH WASH ARM GLASSWASHERS     |
| 200812      | O-RING 1,78X17,17X20,73        |
| 200843      | O RING 2X13X17                 |
| 200844      | O RING 2X9,5X13,5              |
| 200845      | O RING 109 2,62X9,13X14,37     |
| 260711      | SCREW 4,2X13 A2 DIN7972        |
| 261009      | RETAIN.SCREW FOR WASH-RINSE AR |
| 420531      | PLASTIC WASH-RINSE ARM F20-B   |
| 420551      | UPPER WASH ARM GLASSWASHERS    |

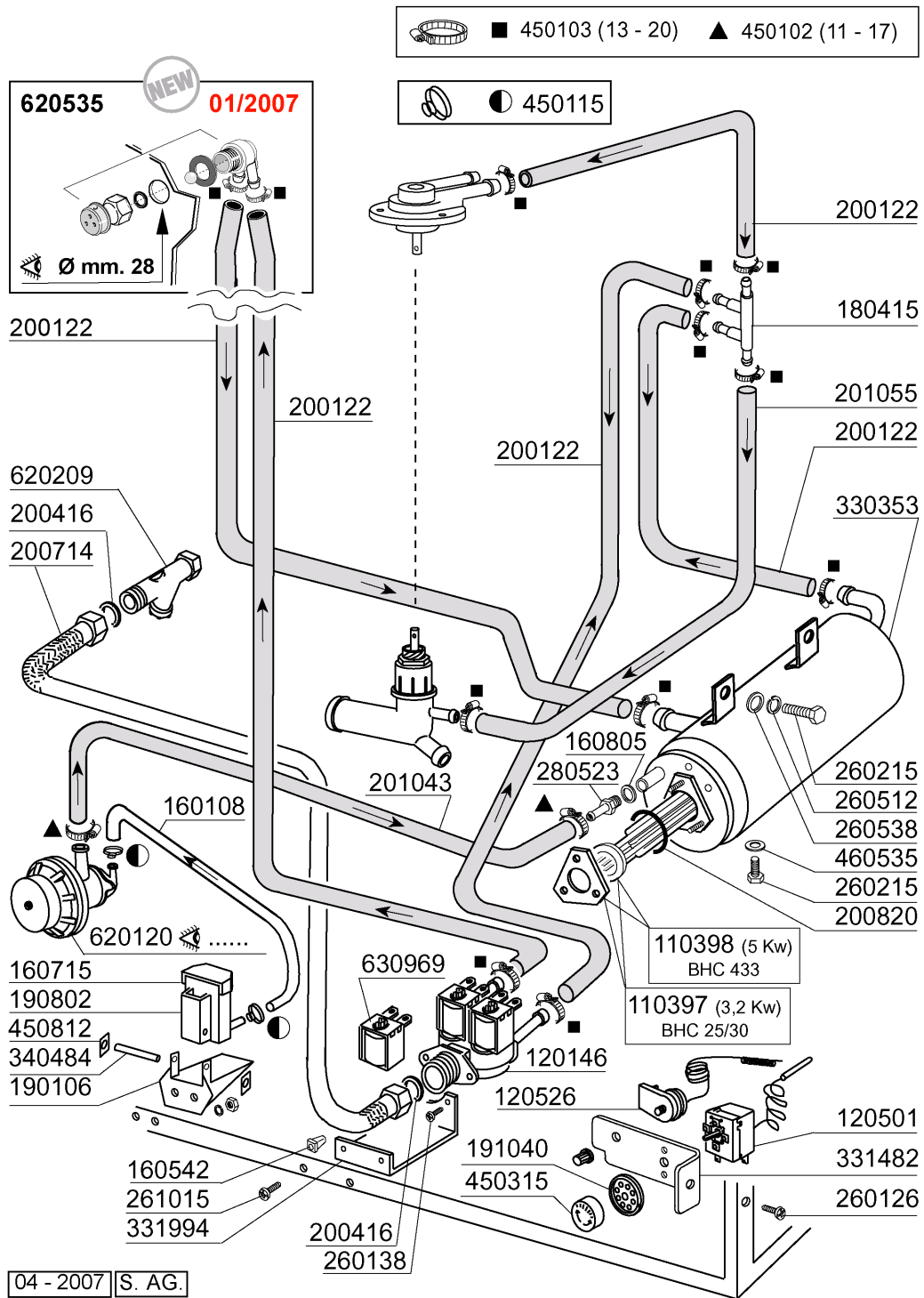
7 - Rinse assembly



## 7 - Rinse assembly

| CODE   | DESCRIPTION                    |
|--------|--------------------------------|
| 110397 | HEATER 3200W 230V/1            |
| 110398 | HEATER 5000W 230V/3            |
| 120146 | SOLENOID VALVE 180Ø TYPE 2 WAY |
| 120501 | THERMOSTAT 30/90ØC             |
| 120526 | SAFETY THERMOSTAT 2POLES       |
| 160108 | INJECT.INLET HOSE D.8X5        |
| 160542 | SCREW SUPPORT                  |
| 160715 | COVER FOR RINSE AID CONTAINER  |
| 160805 | GASKET D.8                     |
| 180415 | TEE NIPPLE DOUBLE "T"          |
| 190106 | RINSE AID CONTAINER SUPP. B23- |
| 190802 | RINSE.AID CONTAINER B20-B41S   |
| 191040 | FRAME F.THERMOSTAT KNOB        |
| 200122 | HOSE 11X19                     |
| 200416 | GASKET D. 3/4"                 |
| 200714 | GLASSWASHER INLET HOSE         |
| 200820 | O-RING151 46,99X5,33X57,6      |
| 201043 | OUTLET HOSE                    |
| 260126 | SCREW TE 5X12                  |
| 260138 | SCREW TE 4X10                  |
| 260215 | SCREW TCP 6X16                 |
| 260512 | ST/ST GROWER WASHER D6         |
| 260538 | WASHER 18X6X1,5 ST/ST          |
| 261015 | SCREW 3,9X13                   |
| 280523 | NIPPLE                         |
| 330353 | BOILER BHC                     |
| 331482 | BRACKET FOR 2 THERMOST. B-F20  |
| 331994 | BRACKET FOR SOLENOID VALVE BHC |
| 340484 | SHAFT F. RINSE AID CONTAINER   |
| 450102 | CLAMP FE ZN 11-17 H=9          |
| 450103 | CLAMP FE ZN. 13-20 H=9         |
| 450115 | ELASTIC CLAMP D.8,3/7,8        |
| 450315 | KNOB F. THERMOSTAT 90Ø         |
| 450812 | SPRING FOR SPINDLE (CODE NO.34 |
| 460535 | GASKET FOR BOILER PLUG BHC     |
| 620120 | RINSE AID INJECTOR             |
| 620209 | INLET WATER FILTER             |
| 620535 | VACUUM BREAKER                 |
| 630969 | COIL S4216 220/50HZ            |

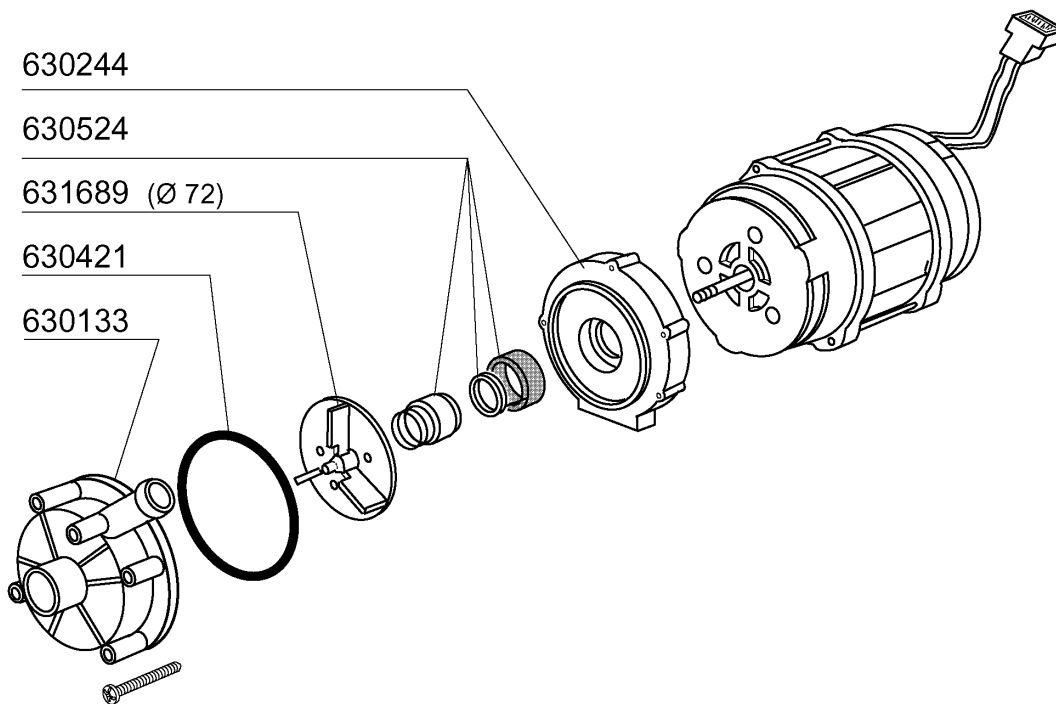
# 8 - Rinse assembly



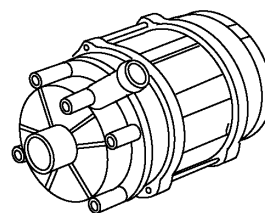
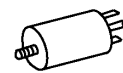
## 8 - Rinse assembly

| CODE   | DESCRIPTION                    |
|--------|--------------------------------|
| 110397 | HEATER 3200W 230V/1            |
| 110398 | HEATER 5000W 230V/3            |
| 120146 | SOLENOID VALVE 180Ø TYPE 2 WAY |
| 120501 | THERMOSTAT 30/90ØC             |
| 120526 | SAFETY THERMOSTAT 2POLES       |
| 160108 | INJECT.INLET HOSE D.8X5        |
| 160542 | SCREW SUPPORT                  |
| 160715 | COVER FOR RINSE AID CONTAINER  |
| 160805 | GASKET D.8                     |
| 180415 | TEE NIPPLE DOUBLE "T"          |
| 190106 | RINSE AID CONTAINER SUPP. B23- |
| 190802 | RINSE.AID CONTAINER B20-B41S   |
| 191040 | FRAME F.THERMOSTAT KNOB        |
| 200122 | HOSE 11X19                     |
| 200416 | GASKET D. 3/4"                 |
| 200714 | GLASSWASHER INLET HOSE         |
| 200820 | O-RING151 46,99X5,33X57,6      |
| 201043 | OUTLET HOSE                    |
| 201055 | HOSE                           |
| 260126 | SCREW TE 5X12                  |
| 260138 | SCREW TE 4X10                  |
| 260215 | SCREW TCP 6X16                 |
| 260512 | ST/ST GROWER WASHER D6         |
| 260538 | WASHER 18X6X1,5 ST/ST          |
| 261015 | SCREW 3,9X13                   |
| 280523 | NIPPLE                         |
| 330353 | BOILER BHC                     |
| 331482 | BRACKET FOR 2 THERMOST. B-F20  |
| 331994 | BRACKET FOR SOLENOID VALVE BHC |
| 340484 | SHAFT F. RINSE AID CONTAINER   |
| 450102 | CLAMP FE ZN 11-17 H=9          |
| 450103 | CLAMP FE ZN. 13-20 H=9         |
| 450115 | ELASTIC CLAMP D.8,3/7,8        |
| 450315 | KNOB F. THERMOSTAT 90Ø         |
| 450812 | SPRING FOR SPINDLE (CODE NO.34 |
| 460535 | GASKET FOR BOILER PLUG BHC     |
| 620120 | RINSE AID INJECTOR             |
| 620209 | INLET WATER FILTER             |
| 620535 | VACUUM BREAKER                 |
| 630969 | COIL S4216 220/50HZ            |

sino alla matricola - jusqu'à la matr. - up to serial no. - bis Seriennr. - hasta la matr. 9400/08/01



631216  
(6,3 µ F)



100760 230 V 50 Hz HP 0,3

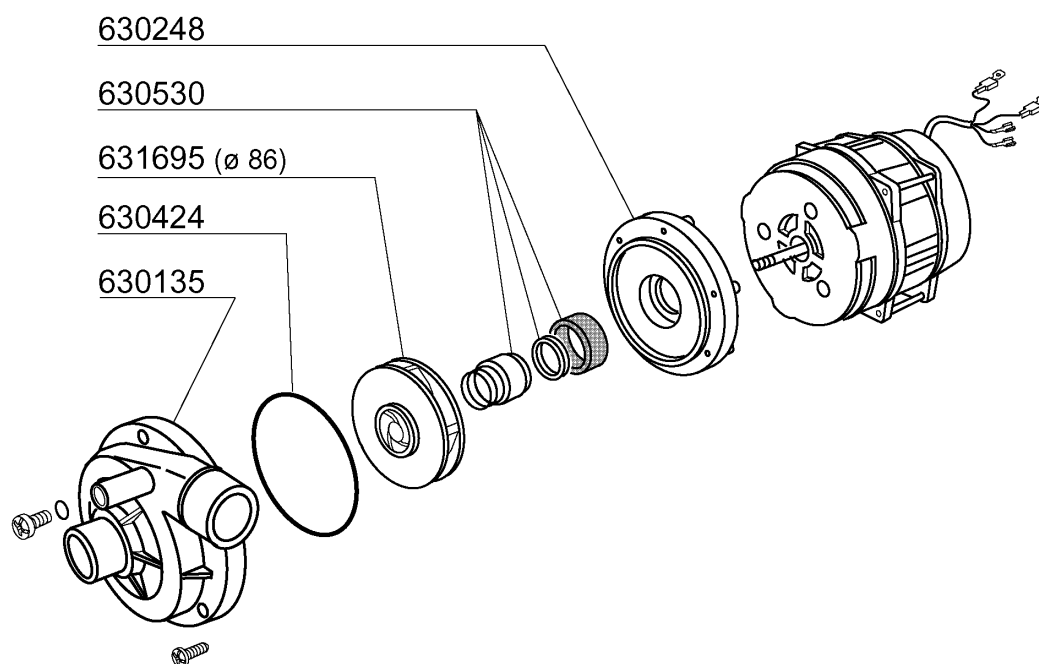
09 - 2001 | S. AG.

**9 - Wash pump**

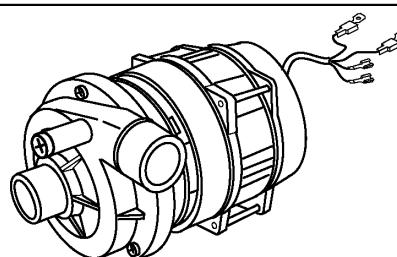
| <b>CODE</b> | <b>DESCRIPTION</b>         |
|-------------|----------------------------|
| 100760      | PUMP HP 0,3 220/240 BHC    |
| 630133      | PUMP VOLUTE LGB 0,30HP     |
| 630244      | PUMP COVER LGB 0,30 HP     |
| 630421      | GASKET LGB 0,30 HP         |
| 630524      | SEAL FOR PUMP LGB0,30 HP   |
| 631216      | CAPACITOR 6.3 MF 450V      |
| 631689      | PUMPE IMPELLER LGB 0,30 HP |



dalla matricola - a partir de la matr. - from serial no. - ab Seriennr. - despues la matr. 9401/09/01



631208  
(5  $\mu$  F)

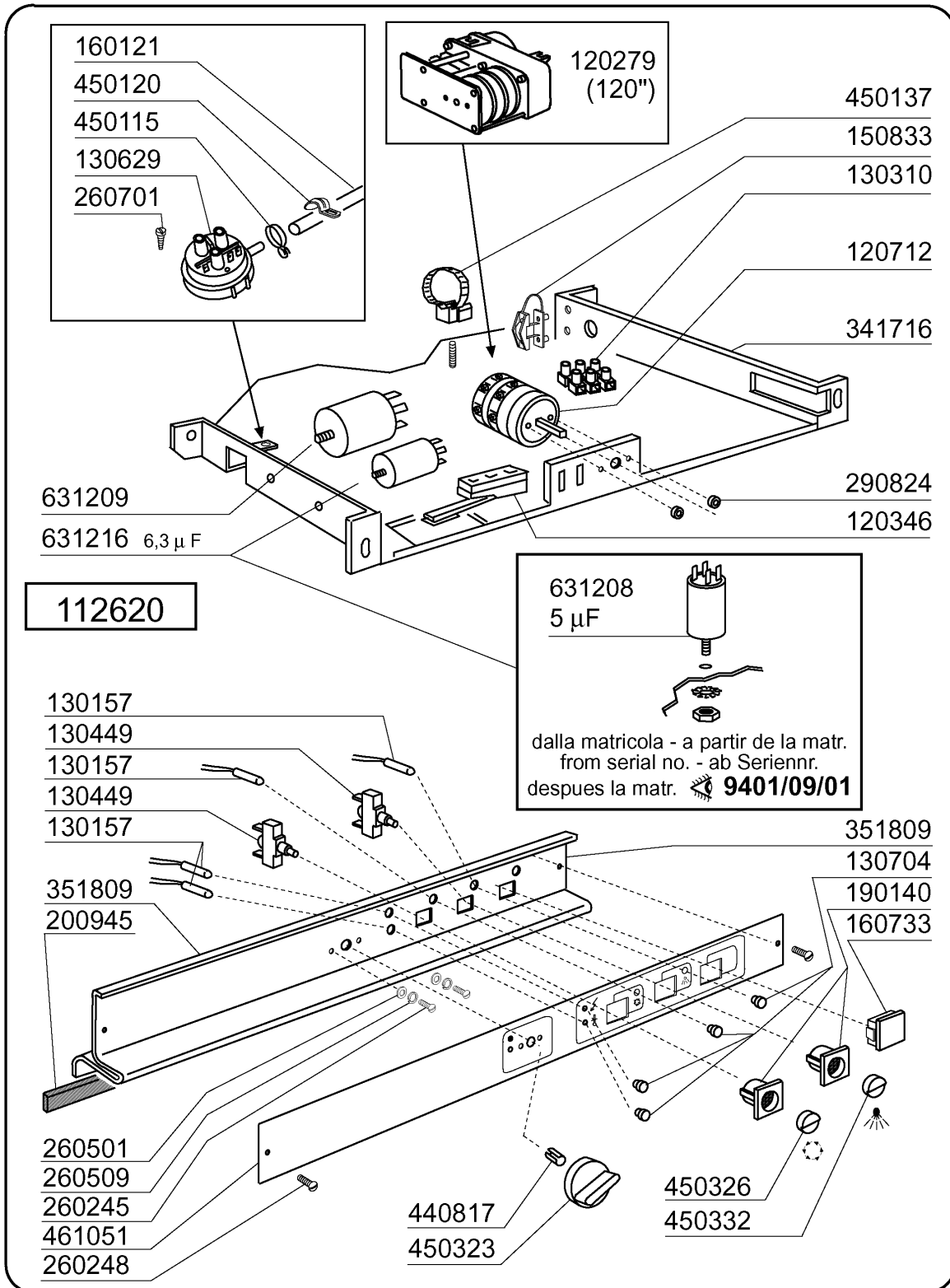


**100785** 230 V 50 Hz HP 0,3 Kw 0,37

09 - 2001 S. AG.

**10 - Wash pump**

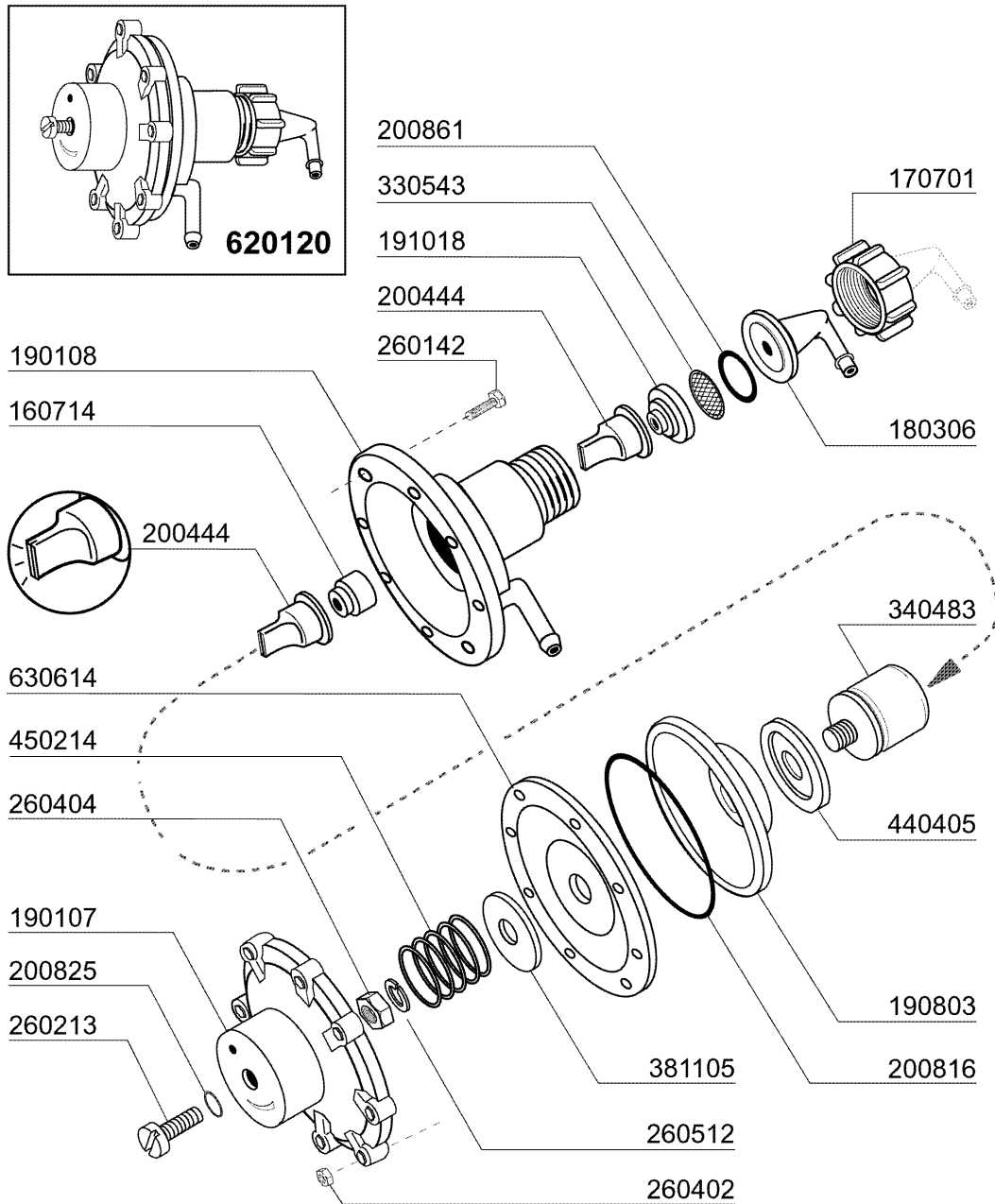
| <b>CODE</b> | <b>DESCRIPTION</b>            |
|-------------|-------------------------------|
| 100785      | PUMP LGB ZF140 0.5HP          |
| 630135      | PUMP VOLUTE LGB 0,30HP ZF140  |
| 630248      | PUMP COVER LGB 0,30HP ZF140   |
| 630424      | PUMP GASKET LGB 0,3HP ZF140   |
| 630530      | SEAL FOR PUMP LGB 0,3HP ZF140 |
| 631208      | CONDENSER 5MF.450V            |
| 631695      | PUMP IMPELLER 0,3HP LGB       |



09 - 2001 | S. AG.

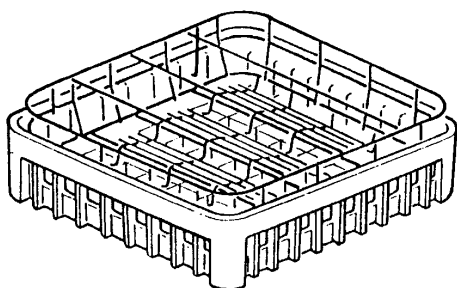
11 - Control-box BHC25 - BHC30

| CODE   | DESCRIPTION                    |
|--------|--------------------------------|
| 112620 | WIRING FOR BHC                 |
| 120279 | TIMER 120" BR-BC               |
| 120346 | DOOR MICROSWITCH WITH MAGNET   |
| 120712 | 2-POLES SWITCH 16AMP           |
| 130157 | GREEN LED FOR BR-BC-C-SERIES - |
| 130310 | TERMINAL BLOCK 3 POSITIONS     |
| 130449 | PUSH BUTTON BR-BC-FC           |
| 130629 | PRESSURE SWITCH 1L30-12        |
| 130704 | GREEN COLOUR.IND.LAMP COVER    |
| 150833 | CABLE HOLDER BC/BR             |
| 160121 | HOSE EPDM D. 5 X 9             |
| 160733 | BLANK PLATES                   |
| 190140 | BUTTON HOLDER BR-BC-FC         |
| 200945 | DOOR GASKET BHC                |
| 260245 | SPECIAL SCREW TC 3,5X16        |
| 260248 | SPECIAL SCREW TB 5X12          |
| 260501 | STAINL.STEEL FLAT WASHER D3 UN |
| 260509 | GROWER WASHER D.3              |
| 260701 | SCREW 3,5X9,5                  |
| 290824 | DISTANCE PIECE FOR BR-BC-FC SW |
| 341716 | SUPPORT FOR ELECTR. PANEL BR-B |
| 351809 | CONTROL PANEL SUPPORT          |
| 440817 | SNAP RING LSCB/1853/17/00      |
| 450115 | ELASTIC CLAMP D.8,3/7,8        |
| 450120 | ZINC CLAMP FOR HOSE D.7        |
| 450137 | COLLAR CONNECTION WITH BASE 31 |
| 450323 | KNOB FOR BC-BR-C95-C155        |
| 450326 | PUSH BUTTON "CYCLE" GREEN      |
| 450332 | COLD RINSE SWITCH              |
| 461051 | PLATE BR-BC-FC43               |
| 631208 | CONDENSER 5MF.450V             |
| 631209 | ANTI-NOISE FILTER              |
| 631216 | CAPACITOR 6.3 MF 450V          |

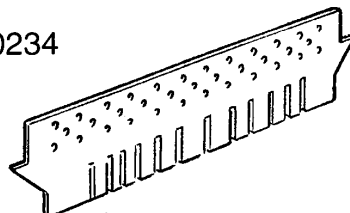


12 - Rinse aid injector

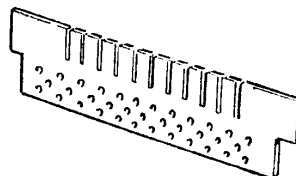
| CODE   | DESCRIPTION                    |
|--------|--------------------------------|
| 160714 | PLUG FOR RINSE AID INJECTOR MO |
| 170701 | LOCK NUT 1/2" F.INJECTOR       |
| 180306 | NIPPLE F.RINSE AID INJECTOR    |
| 190107 | COVER FOR RINSE AID DISPENSER  |
| 190108 | VOLUTE FOR RINSE AID DISPENSER |
| 190803 | GASKET SUPPORT RING F.INJECT   |
| 191018 | FILTER SUPPORT RINSE AID INJEC |
| 200444 | SUCTION VALVE RINSE INJECTOR   |
| 200816 | O-RING 2,5X59,2X64,2 RINSE INJ |
| 200825 | O-RING 3X5X11 RINSE INJECTOR   |
| 200861 | O-RING 14X18X2                 |
| 260142 | SCREW TE 4X16                  |
| 260213 | SCREW TCP 5X25                 |
| 260402 | STAINLESS STEEL NUT D4 UNI 55  |
| 260404 | STAINLESS STEEL NUTS D6 UNI 55 |
| 260512 | ST/ST GROWER WASHER D6         |
| 330543 | FILTER RINSE AID INJECTOR D.17 |
| 340483 | PISTON FOR RINSE AID DISPENSER |
| 381105 | DIAPHRAGME DISC                |
| 440405 | GASKET FOR RINSE AID INJ.      |
| 450214 | SPRING RINSE AID INJECTOR      |
| 620120 | RINSE AID INJECTOR             |
| 630614 | DIAPHRAGM RINSE INJECTOR       |



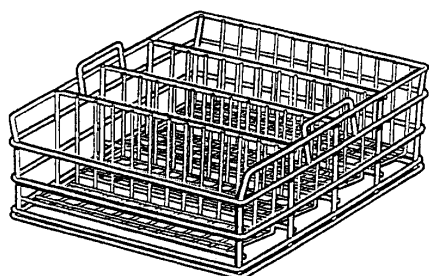
660714



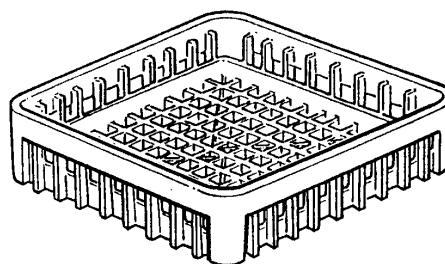
660234



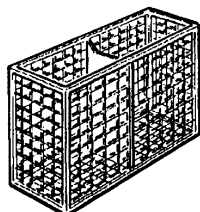
660235



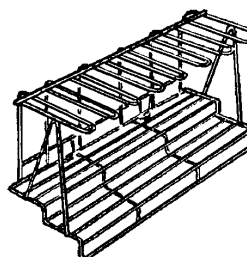
520131



660712



660519



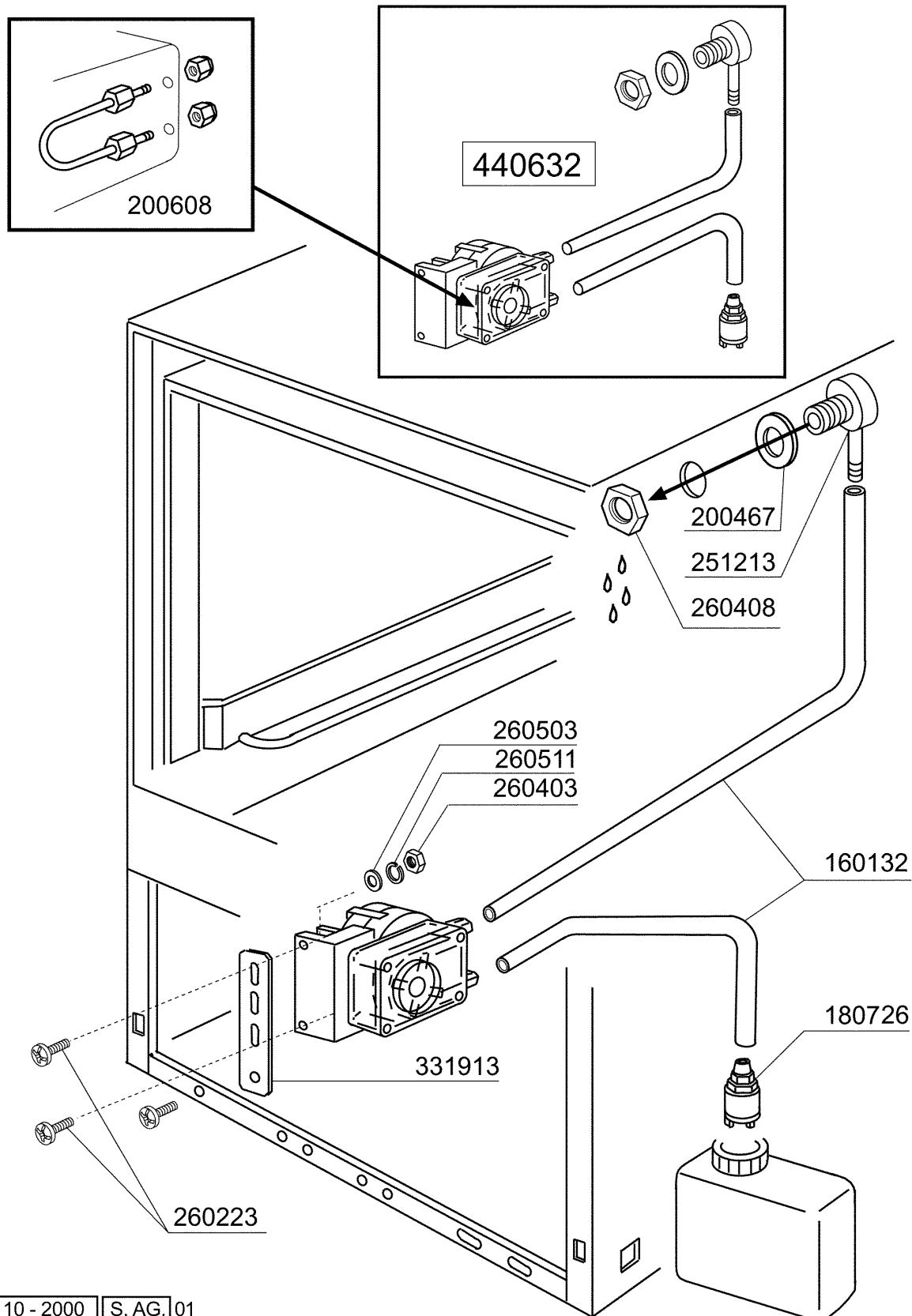
520611

**13 - Rack**

| <b>CODE</b> | <b>DESCRIPTION</b>             |
|-------------|--------------------------------|
| 520131      | GLASS RACK 40X40 H270          |
| 520611      | INSERT FOR CHAMPAGNE GLASSES   |
| 660234      | UPPER INSERT FOR 16-25-36 GLAS |
| 660235      | LOWER INSERT FOR 16-25-36 GLAS |
| 660519      | 2-PLACES CUTLERY HOLDER        |
| 660712      | BASE RACK 400X400              |
| 660714      | GLASS RACK (400X400)           |



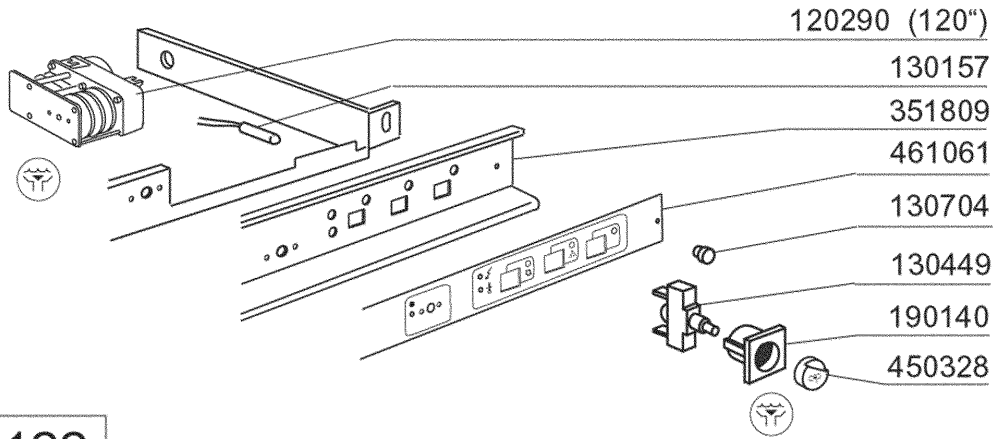
14 - Detergent dispenser



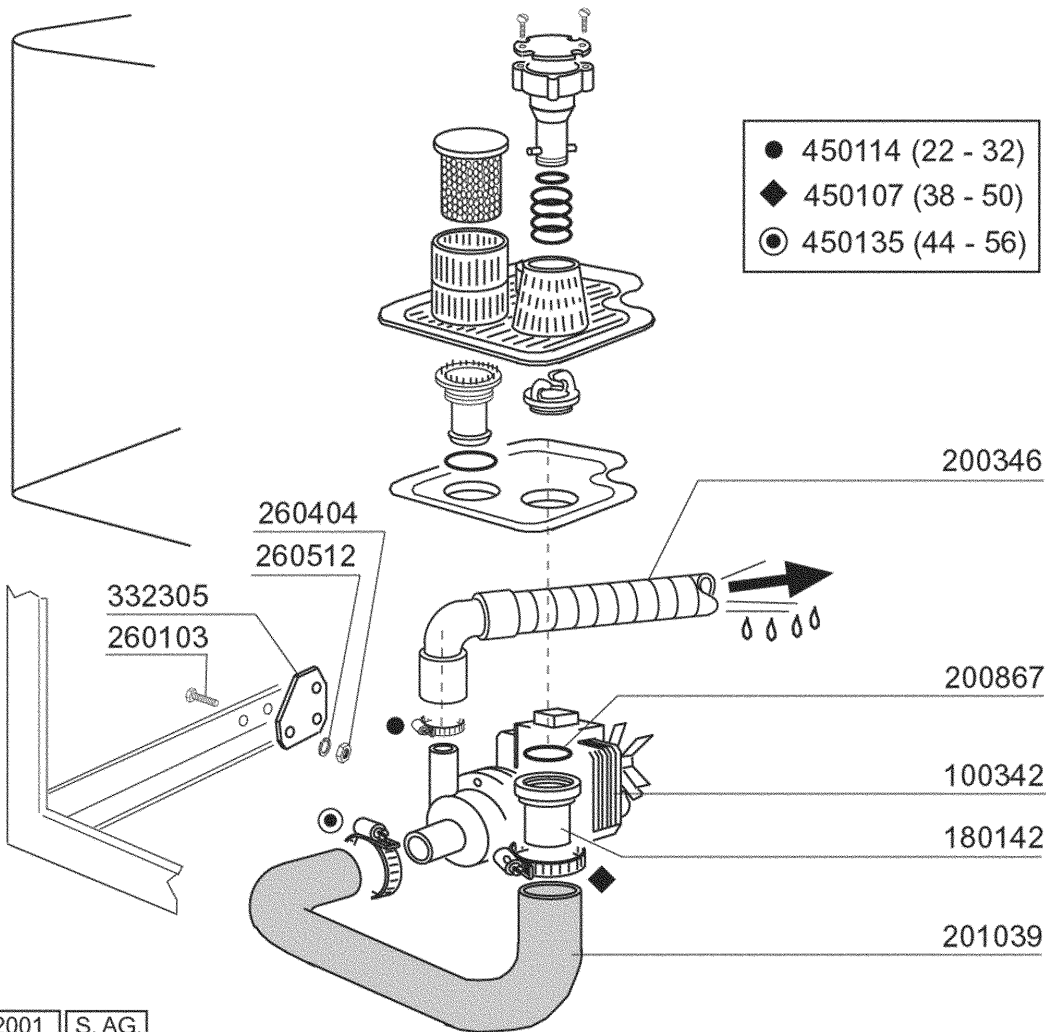
10 - 2000 S. AG. 01

## 14 - Detergent dispenser

| CODE   | DESCRIPTION                    |
|--------|--------------------------------|
| 160132 | HOSE 5X7                       |
| 180726 | STREINER FOR RINSE AID INJECTO |
| 200467 | DUTRAL GASKET F. AIR TRAP      |
| 200608 | DETERGENT DISPENSER HOSE       |
| 251213 | INJECTIOR S/S FOR DETERGENT IN |
| 260223 | M5X12 MSH/HD SCREW SPECIAL S/S |
| 260403 | NUTS D.5                       |
| 260408 | S/S NUTS D.12                  |
| 260503 | STAINL.STEEL FLAT WASHER D5 UN |
| 260511 | GROWER WASHER D.5              |
| 331913 | BRACKET                        |
| 440632 | DETERGENT INJECTOR             |



650122



03 - 2001 S. AG.

**15 - Drain pump**

| <b>CODE</b> | <b>DESCRIPTION</b>             |
|-------------|--------------------------------|
| 100342      | DRAIN PUMP 100 W 220V          |
| 120290      | TIMER FOR DRAIN PUMP           |
| 130157      | GREEN LED FOR BR-BC-C-SERIES - |
| 130449      | PUSH BUTTON BR-BC-FC           |
| 130704      | GREEN COLOUR.IND.LAMP COVER    |
| 180142      | CONNECTOR FOR DRAIN PUMP       |
| 190140      | BUTTON HOLDER BR-BC-FC         |
| 200346      | DRAIN HOSE GLASSWASHER         |
| 200867      | GASKET                         |
| 201039      | INLET HOSE                     |
| 260103      | SCREW TE 6X12                  |
| 260404      | STAINLESS STEEL NUTS D6 UNI 55 |
| 260512      | ST/ST GROWER WASHER D6         |
| 332305      | DRAIN PUMP BRACKET BHC         |
| 351809      | CONTROL PANEL SUPPORT          |
| 450107      | CLAMP FE ZN 38-50 H=12,2       |
| 450114      | CLAMP FE ZN.22-32 H=12,2       |
| 450135      | CLAMP FE ZN. 44-56 H=12,2      |
| 450328      | DRAIN SWITCH                   |
| 461061      | CONTROL PANEL                  |
| 650122      | DRAIN PUMP KIT                 |